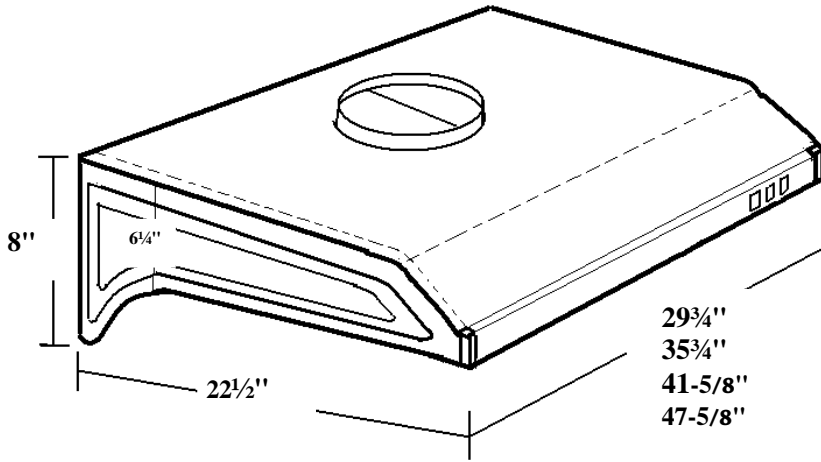


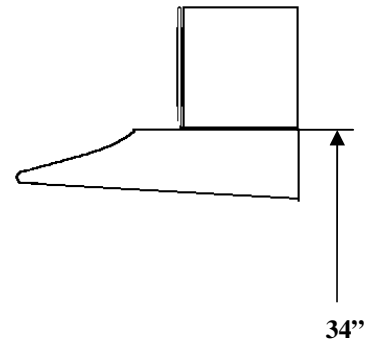
PACAIR

RANGE HOOD

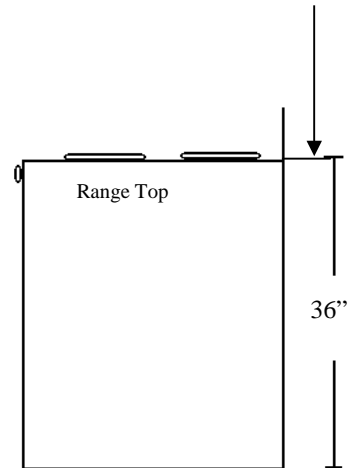
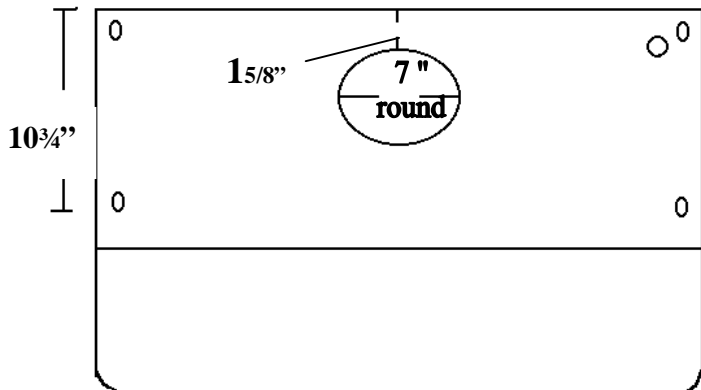
Specifications RP Series



SIDE VIEW



TOP VIEW



Use correct size of ducting. Do not reduce size; make all turns gradual, no short corners. If run longer than 10 ft., enlarge duct after first 10 ft. Tape all joints for tight seal. Straight runs are most efficient.

PACAIR www.PacAirUsa.com
8609 Valley Blvd., Rosemead, CA 91770
Tel: 1-800-635-7888 or (626) 309-9989