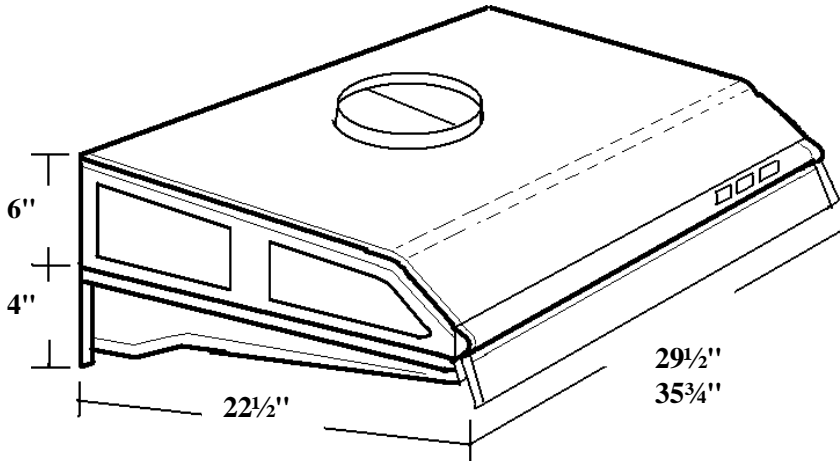


# PACAIR

RANGE HOOD

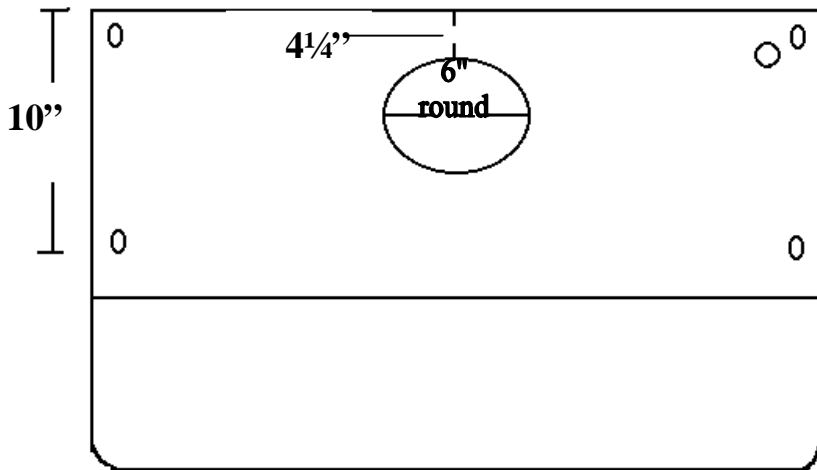
## Specifications RL Series



SIDE VIEW



TOP VIEW



Use 6" or 3-1/4" x 10" or larger size of ducting. Do not reduce size; make all turns gradual, no short corners. If run longer than 10 ft., enlarge duct after first 10 ft. Tape all joints for tight seal. Straight runs are most efficient.

**PACAIR** [www.PacAirUsa.com](http://www.PacAirUsa.com)  
8609 Valley Blvd. Rosemead, CA 91770  
Tel: 1-800-635-7888 or (626)309-9989