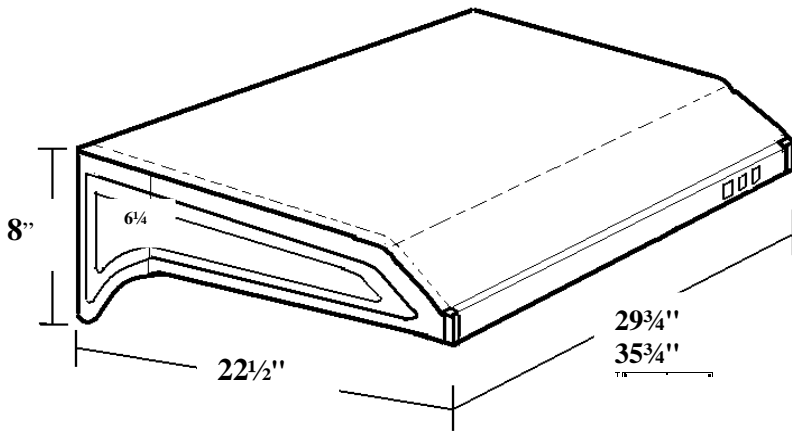


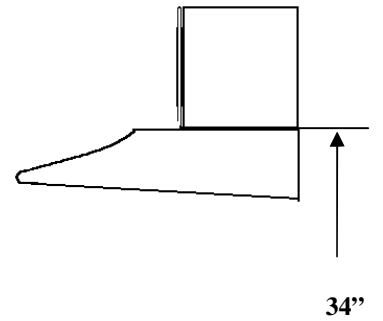
PACAIR

RANGE HOOD

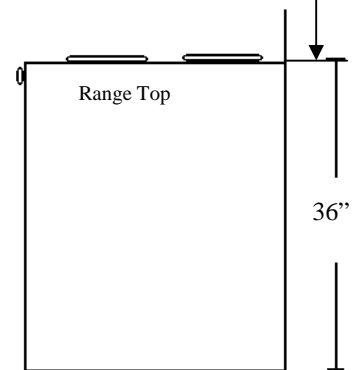
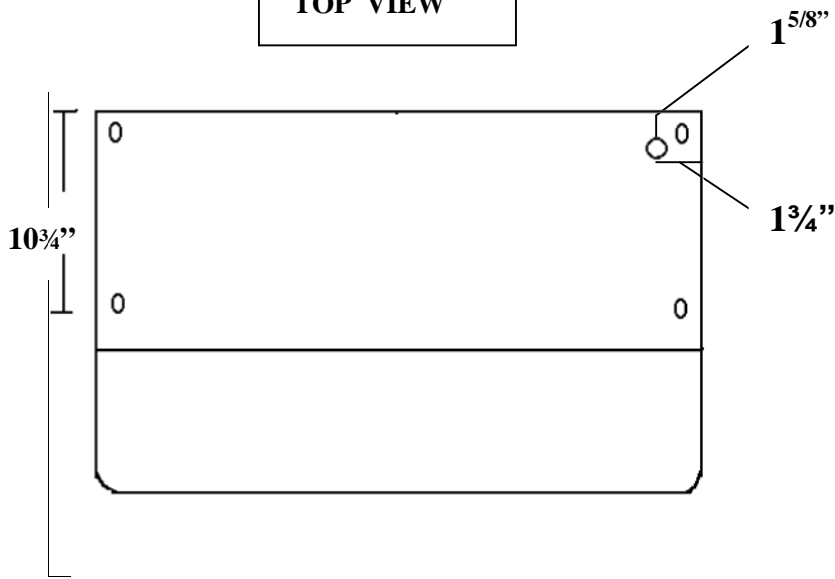
RP Specifications REAR VENTING



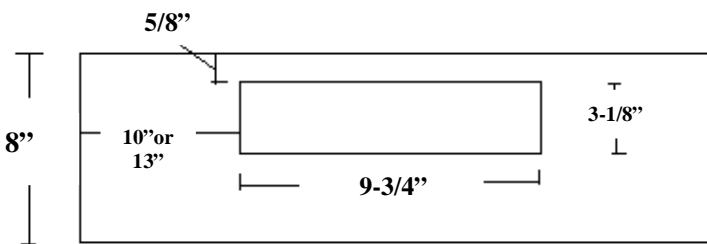
SIDE VIEW



TOP VIEW



REAR VENTING



Use 3 3/4" x 10" or larger size of ducting. Do not reduce size; make all turns gradual, no short corners. If run longer than 10 ft., enlarge duct after first 10 ft. Tape all joints for tight seal. .

8609 Valley Blvd., Rosemead, CA 91770
Tel: 1-800-635-7888 or (626) 309-9989
www.PacAirUsa.com